

Contents

Important User Information	2	Maintenance	8
Safety Precautions	3	Broken Mirror Replacement	8
Grounding Instructions	3	GFCI Test	10
General Use	3	Lighting	10
User Instructions	5	Cleaning	10
Lighting	6	Replacement Parts	11
Electric Receptacle	7		
Mirror	7		



Visit the Backstage Makeup Station web page at wengercorp.com for more information.

Note: Please read and understand these instructions before proceeding.
Note: If you need additional information, contact Wenger Corporation using the information below.

Important User Information

General

Copyright © 2024 by Wenger Corporation

All rights reserved. No part of the contents of this manual may be reproduced, copied, or transmitted in any form or by any means including graphic, electronic, or mechanical methods or photocopying, recording, or information storage and retrieval systems without the written permission of the publisher, unless it is for the purchaser's personal use.

Printed and bound in the United States of America.

The information in this manual is subject to change without notice and does not represent a commitment on the part of Wenger Corporation. Wenger Corporation does not assume any responsibility for any errors that may appear in these instructions.

In no event will Wenger Corporation be liable for technical or editorial omissions made herein, nor for direct, indirect, special, incidental, or consequential damages resulting from the use or defect of these instructions. The manufacturer reserves the right to change this product at any time.

The information in this document is not intended to cover all possible conditions and situations that might occur. The end user must exercise caution and common sense when assembling or installing Wenger Corporation products. If any questions or problems arise, call the Wenger Corporation at (800) 4WENGER (493-6437) or +1-507-455-4100 worldwide.

Manufacturer

The Backstage® Makeup Station is manufactured by:

Wenger Corporation
555 Park Drive
Owatonna, MN 55060
(800) 4WENGER (493-6437) • +1 (507) 455-4100
wengercorp.com

The Backstage Makeup Station electrical ratings are:

Electrical Rating 120 V, 12.0 Amps, 60 Hz

The date of manufacture is engraved on the bottom of the steel frame.

Intended Use

- This product is intended for indoor use in normal ambient temperature and humidity conditions – it must not be exposed to prolonged outside weather conditions.
- This product is intended to be assembled, installed and used only as described in these instructions.

Warranty

Warranty information is available at wengercorp.com.

Safety Precautions

Throughout this document you may find cautions and warnings which are defined as follows:

- **WARNING:** Failure to follow the instruction could result in serious injury or damage to property.
- **CAUTION:** Failure to follow the instruction could result in minor injury or damage to property.

Read and understand all of these safety instructions before any assembly, installation or use.

⚠ CAUTION

Make sure anyone assembling, installing or using this product has read and understands these instructions.

⚠ CAUTION

Failure to comply with Warnings and Cautions in this document or on the equipment can result in damage to property or serious injury.

Grounding Instructions

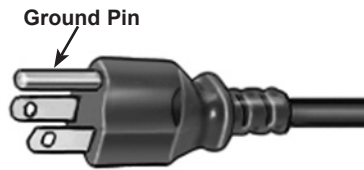
This product is for use only with a 120V power supply. It has a grounding plug that looks like the plug shown below. Make sure that the product is connected to an outlet having the same configuration as the plug. No adapter should be used with this product.

⚠ WARNING

Improper connection of the grounding conductor can result in electrical shock. Consult a qualified electrician if there is any doubt if the product is safely grounded. Never modify the plug or electrical cord provided with the Backstage Makeup Station. If the plug will not fit into the receptacle, have a qualified electrician install the correct grounded receptacle.



Typical Grounded Receptacle



Grounded Plug

Safety Precautions (continued)

General Use (continued)

⚠ WARNING

To reduce the risk of burns, fire, electric shock, or injury to persons:

- Always unplug the Backstage Makeup Station from the electrical outlet before changing bulbs.
- Always unplug the Backstage Makeup Station from the electrical outlet before cleaning.
- Keep the power cord away from heated surfaces.
- Use this Backstage Makeup Station only for its intended use as described in these instructions. Do not use attachments not recommended by the manufacturer.
- Use only 60 watt incandescent bulbs or 15 watt swirl fluorescent bulbs.
- Never insert any object into lamp sockets other than recommended bulbs.
- Never place costumes, wigs, or flammable items near light bulbs.
- Never hang anything from the light bulb cages.
- Never use the outlet for hot plates or coffee machines.
- Do not use the Backstage Makeup Station outdoors.
- Never use the Backstage Makeup Station if it has a damaged cord or plug, if it is not working properly, if it has been dropped or damaged, or dropped into water. Contact Wenger Corporation for instructions regarding replacement or repair.
- Always provide adult supervision when children use the Backstage Makeup Station.
- Never hang cords, costumes, wigs, or flammable items near the light bulbs.
- Never splash liquids onto the lighting or onto the mirror surround.

⚠ WARNING

Never plug appliances into the receptacle that exceed the 9 ampere rating. Overloading the outlet can cause a power interruption.

⚠ WARNING

Never plug a device that has faulty wiring into the receptacle.

⚠ WARNING

Never hit the mirror with hard, heavy objects. Breakage of the mirror can result.

⚠ WARNING

Never pour or spray liquids near the outlet.

⚠ CAUTION

To help prevent tipping over, always place the Backstage Makeup Station on a level surface that is large enough to support the base such as a sturdy table.

⚠ CAUTION

The Backstage Makeup Station weighs 35 lb (16 kg). Always make sure that you can lift it safely.

⚠ CAUTION

Always use work gloves when handling a broken mirror.

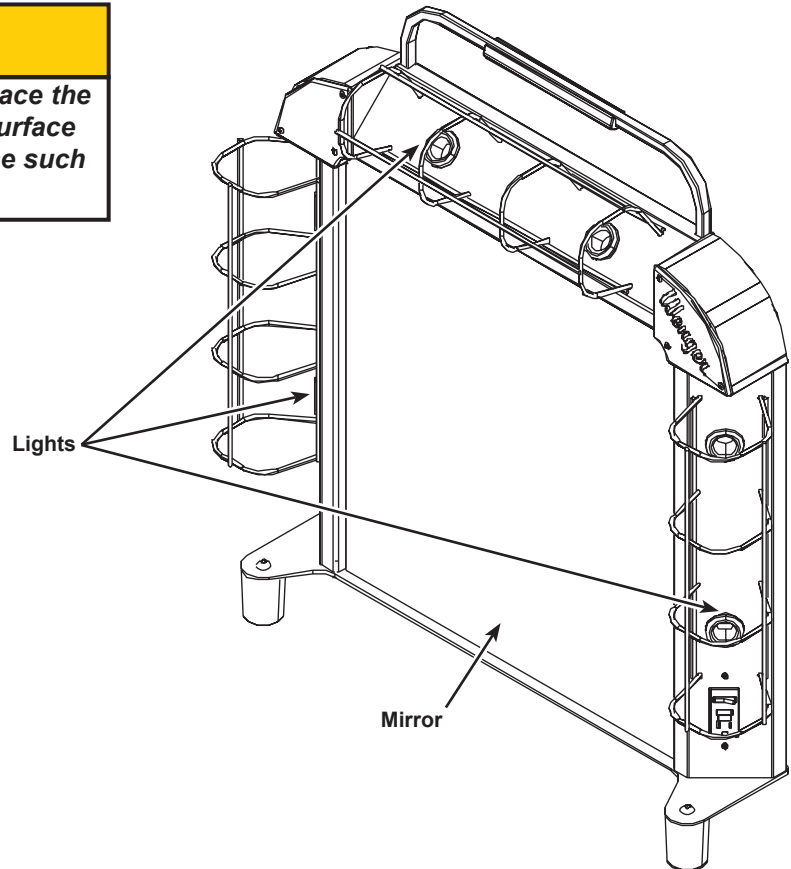
User Instructions

The Backstage Makeup Station is intended to provide the necessary elements to apply makeup or create special visual effects. It has the following features.

1. Lighting that is bright and untainted in color.
2. An electrical outlet for makeup appliances.
3. A large mirror.
4. It is portable.

⚠ CAUTION

To help prevent tipping over, always place the Backstage Makeup Station on a level surface that is large enough to support the base such as a sturdy table.



User Instructions (continued)

Lighting

Light bulbs are not supplied with the Backstage Makeup Station.

The end user should choose the light bulb that is best suited for the Makeup Station use.

For accurate color rendering, Wenger Corporation recommends either of the following:

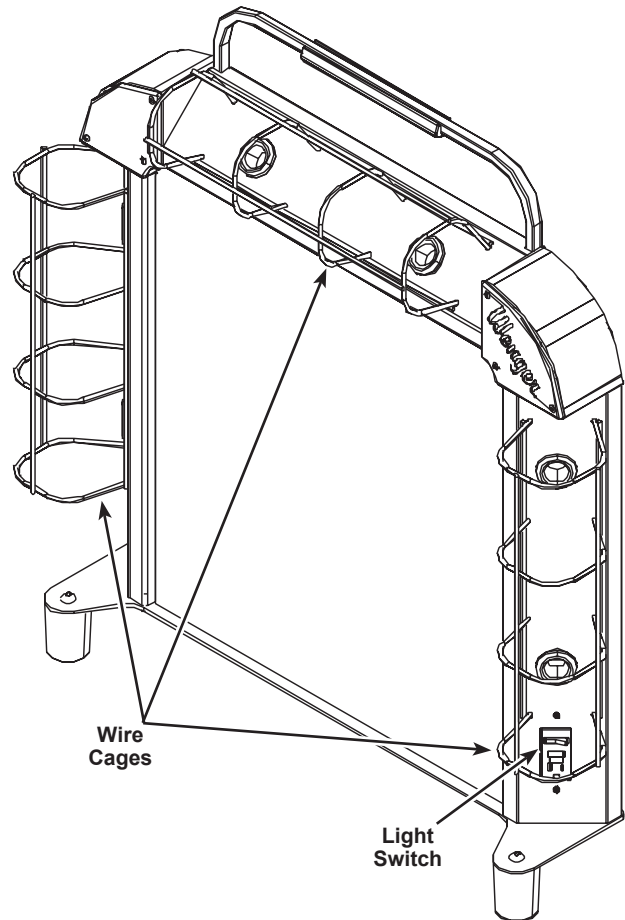
- GE Reveal® 60 watt incandescent bulbs
- Full-spectrum, 15 watt, swirl fluorescent bulbs

⚠WARNING

*Never use bulbs larger than 60 watts.
The electrical circuitry is designed for 60 watt bulbs. Using larger sizes may cause overheating of components or cause other problems that can result in fire, electric shock, injury or damage to property.*

⚠WARNING

*Never hang costumes, clothing, or wigs near the bulbs.
Never hang clothes, wigs, etc. from the wire cages.
Fire and damage to property can result.*



User Instructions (continued)

Electric Receptacle

An electric receptacle is located on the lower right of the mirror on the Backstage Makeup Station.

- An appliance used to apply makeup can plug into this receptacle.
- This receptacle has ground fault circuit interrupter for shock protection.

⚠ WARNING

Never plug appliances into the receptacle that will exceed the current capacity of the branch circuit. Overloading may cause a power interruption.

⚠ WARNING

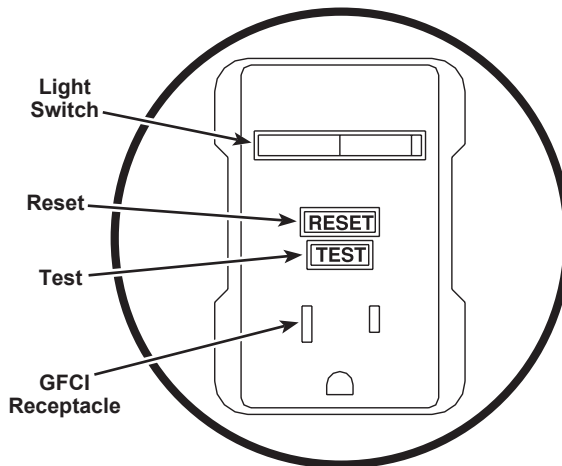
Never plug a device that has faulty wiring into the receptacle.

⚠ WARNING

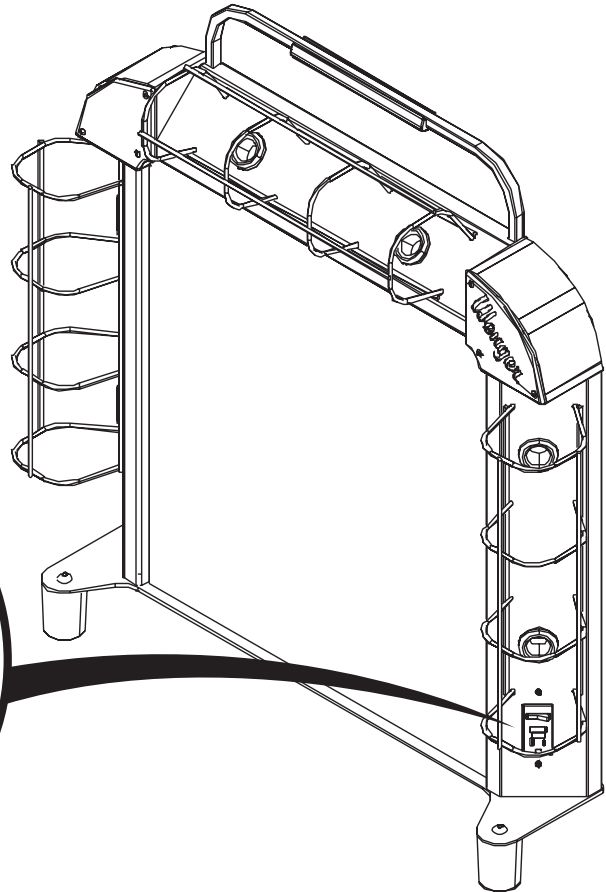
Never pour, spray, or splash liquids near the receptacle.

⚠ CAUTION

Test the GFCI Receptacle every 30 days. Refer to "GFCI Test".



Combination GFCI Receptacle/Switch



Mirror

The Backstage Makeup Station mirror is shatter-resistant and shatter-controlled. ***It is not unbreakable.***

⚠ WARNING

Never strike the mirror with hard, heavy objects. Never handle a broken mirror with bare hands. Always have a qualified worker remove a broken mirror immediately.

NOTICE

Refer to "Broken Mirror Replacement" for instructions regarding replacing a broken mirror or contact Wenger Corporation.

Maintenance

Broken Mirror Replacement

Replace a damaged mirror as follows.

1. To remove a damaged mirror:
 - a. Remove the power cord from the power source.

CAUTION

Never replace a damaged mirror with the power cord connected to a power source.

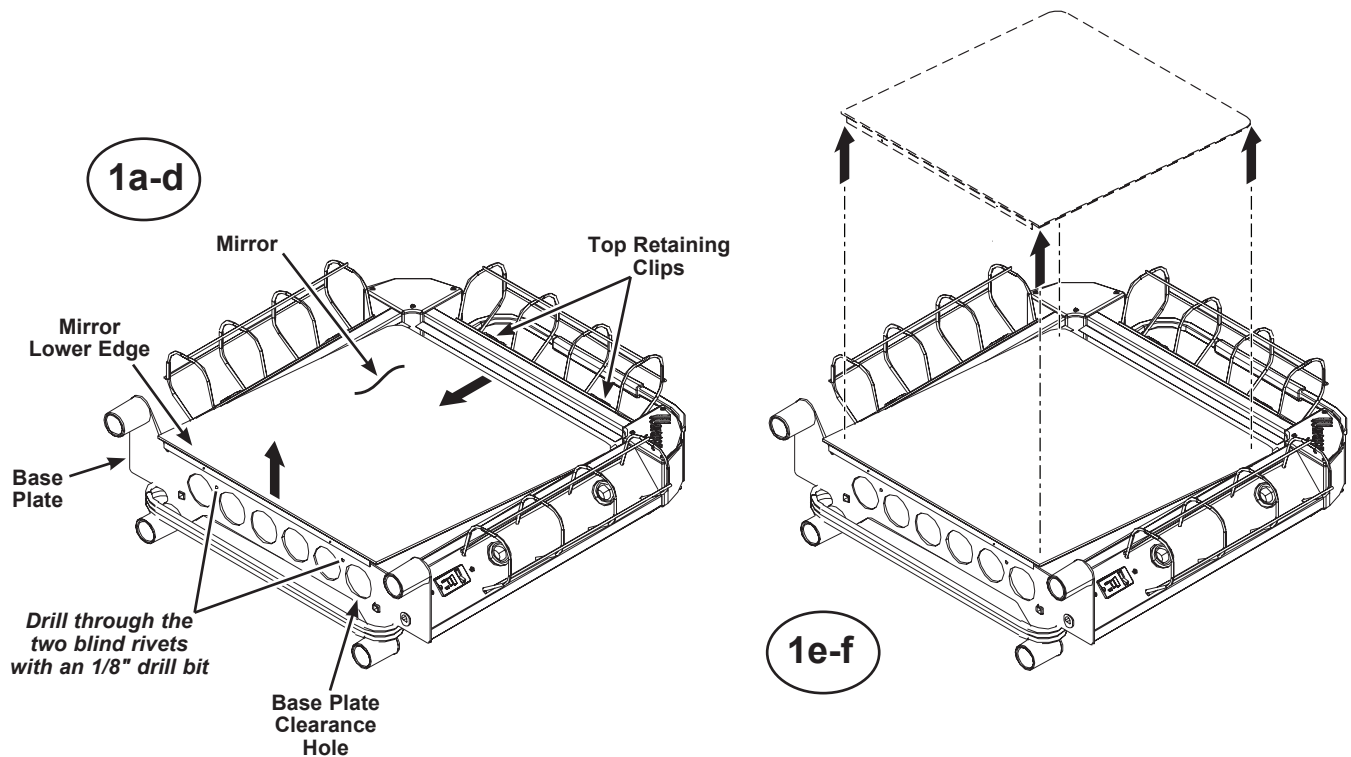
CAUTION

Always wear work gloves and safety glasses when replacing a damaged mirror.

- b. Place the Backstage Makeup Station onto its back on a flat work surface.
- c. Using a cordless drill and a 1/8" drill bit, drill through the two blind rivets that hold the mirror flange to the base plate.
- d. Wearing work gloves, reach through the large holes in the base plate and push the lower edge of the mirror upward until it clears the frame.
- e. Wearing work gloves, slide the broken mirror downward about one inch until the upper clips are clear of the flange.
- f. Lift the mirror away from the station and set it aside.

CAUTION

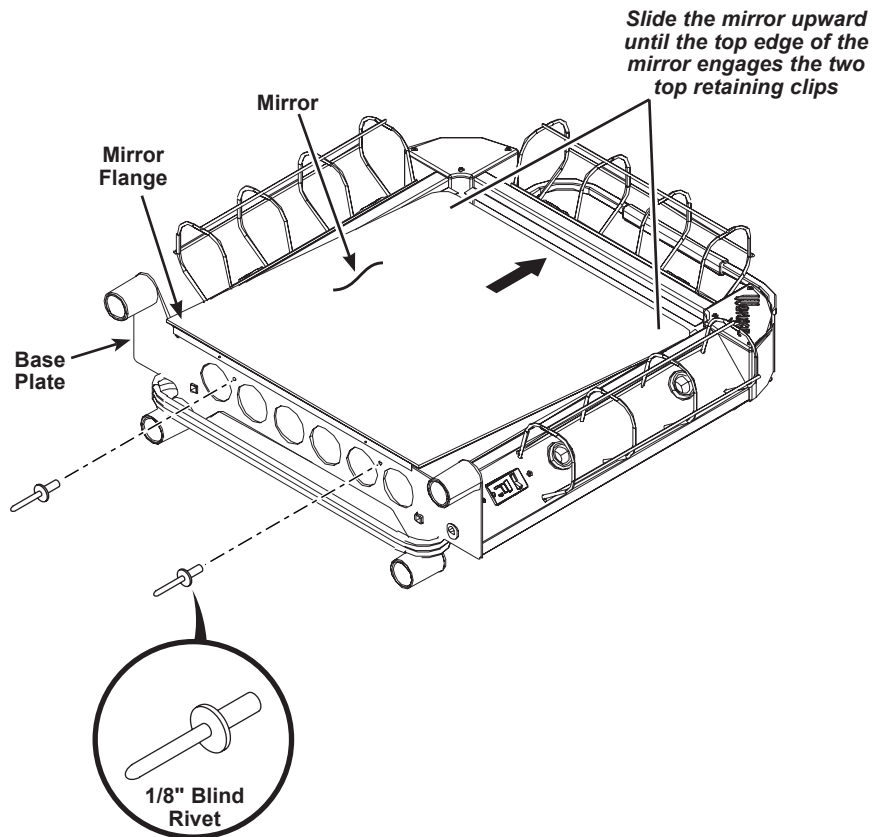
Take care when removing the old mirror and dispose of it in a safe manner. Injury can occur from sharp edges of broken glass.



Maintenance (continued)

Broken Mirror Replacement (continued)

2. Install the new mirror as follows.
 - a. Place the new mirror onto the surround as shown with the mirror flange at the bottom and about a 1" (25 mm) space between the top edge of the mirror and the surround.
 - b. Wearing gloves, lift the bottom edge of the mirror slightly and slide the mirror toward the top making sure that the top clips of the mirror engage the surround.
 - c. Wearing gloves, support the bottom edge of the mirror through the large holes and gently slide the mirror flange inside the frame until the rivet holes align.
 - d. Using a blind rivet tool, attach two 1/8" steel blind rivets to the two holes on the mirror flange and the base plate.



Maintenance (continued)

GFCI Test

Every 30 days test the GFCI receptacle as follows.

1. Push the **RESET** push button on the receptacle.
2. Plug a night-light into one of the outlets and turn the night-light on. The bulb should turn on.
3. Push the **TEST** push button on the receptacle.
The night-light should go off. If it does not, the receptacle is faulty.
4. Push the **RESET** push button. The night-light should turn on.
If it does not, the receptacle is faulty.
5. If the GFCI receptacle fails the test, have a licensed electrician replace the receptacle with another GFCI receptacle with the same specification.

Lighting

1. Always replace burned out or broken bulbs with the bulbs recommended in "Lighting".

⚠ CAUTION

Always unplug the Backstage Makeup Station before replacing bulbs. Never use bulbs larger than 60 watts. Always wear gloves when removing a broken bulb.

Cleaning

1. Use a soft cotton cloth and a mild detergent to clean the surround.

⚠ CAUTION

Always unplug the Backstage Makeup Station before cleaning.

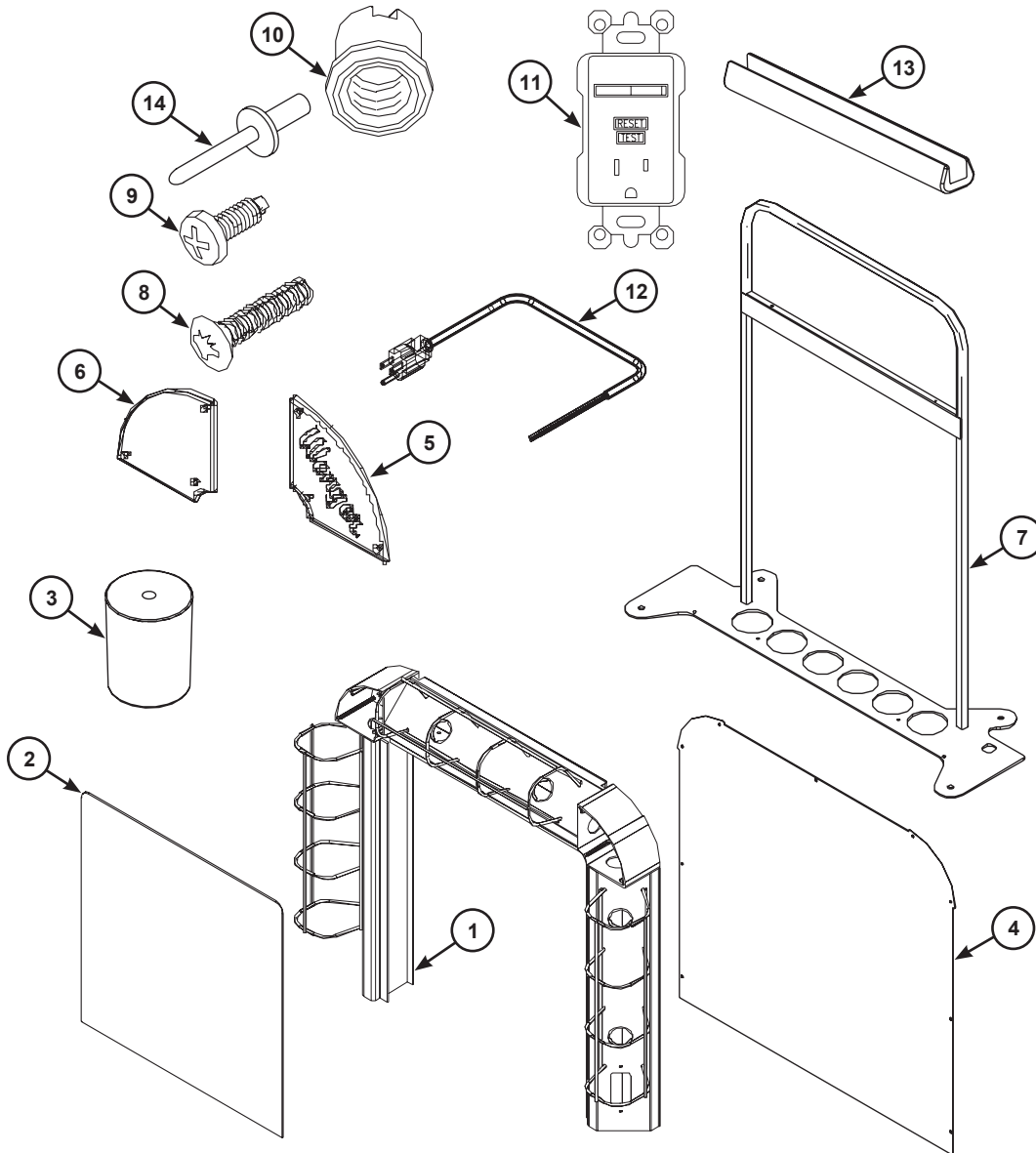
⚠ CAUTION

Never pour, spray, or splash liquids near the receptacle outlets.

2. Clean the mirror with a clean soft cotton cloth and a glass cleaner.
3. To clean residue or dust from bulbs, do as follows.
 - a. Unplug the Backstage Makeup Station and allow the bulbs to cool.
 - b. Carefully remove the bulbs from the sockets.
 - c. Clean the bulbs with a dampened cloth.
 - d. Reinstall the bulbs.

Replacement Parts

Item	Description	Item	Description
1	Backstage Mirror Surround Assembly	8	8-32 x 3/4" Phillips Oval Head Screw
2	Mirror Assembly	9	6-32 x 1/2" Phillips Truss Head Screw
3	Foot	10	Lamp Holder, Snap-in
4	Back Cover	11	Combination GFCI Receptacle/Switch
5	Corner Cover with logo	12	10' Power Cord
6	Plain Corner Cover	13	Grip
7	Frame	14	1/8" Blind Rivet



This page is intentionally blank.